

Rush Machinery, Inc.

Specification- *Air Bearing Endmill Grinding Fixture*

1. Tool Capacities

- A. Tool Diameter: Up to 3-1/2 inches (90mm).
- B. Shank diameter: Up to 1-1/16 inches or 27mm using 5-C or 5-ST collets and 1-1/4, 1-1/2 and 2 inch, or 32, 40 and 50 mm, using 5-C shank bushings.
- C. Tool Length: Up to 12 inches (305 mm) overall length when using 5-C or 5-ST collets.
 Up to 9-1/2 inches (265mm) overall length when using 5-C shank bushings.
- D. Shank Types: Straight or #1, #2, #3 and #4 Morse Taper, using 5-C Morse Taper hole collets.
- E. Number of Flutes: Any number on O.D.; 1, 2, 3, 4 and 6 on end, using the standard 12-position index plate. Optional index plates are available for any number of flutes.
- F. Length of flute ground: Up to 10 inches (250mm), using 5-C or 5-ST collets.
 Up to 7-1/2 inches (215mm), using 5-C shank bushings.

2. Angle Settings:

- A. O.D.: Up to 20 degrees (direct setting)
- B. Tilt: +/- 30 degrees (for end grinding)
- C. Rotation: 360 degrees

3. Construction:

- A. Spindle: Hardened, chrome plated and ground
- B. Flute follower finger: Dovetail cross feed and micrometer vertical adjustment.
- C. Rocker arm: Spring loaded, tilts fixture away from grinding wheel for indexing.
- D. Micrometer infeed: Graduated in .001 inch (or .04mm) increments of diameter.
- E. Air pressure: 80 psi (5.5 bar) minimum; air filter included.

Rush Machinery, Inc.

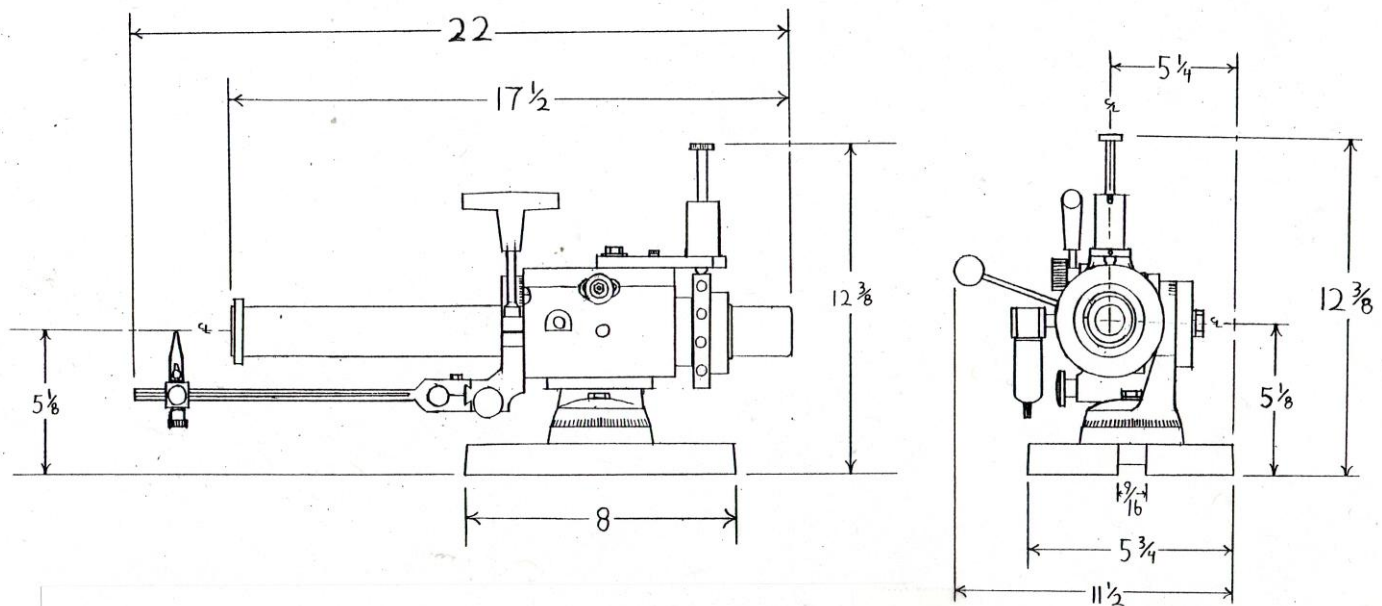
Specification- *Air Bearing Endmill Grinding Fixture*

F. Weight: P/N ABUN: (universal base-for mounting on tool & cutter or surface grinders) 55 lbs (25 kg) shipping; 45 lbs (21 kg) net.

P/N AB32: (with base for mounting on Rush 132C grinders) 63 lbs (29 kg) shipping; 53 lbs (24 kg) net.

P/N AB50: (with base for mounting on Rush 250A/252 grinders) 63 lbs (29 kg) shipping; 53 lbs (24 kg) net.

P/N AB80: (with base for mounting on Rush 380/382 grinders) 72 lbs (33 kg) shipping; 62 lbs (28 kg) net.



Rush Model ABUN, Air Bearing Fixture on Universal Base